

# INSTRUCTIONS FOR INSTALLING THE DIAPHRAGM AND "O" RING REPLACEMENT KIT IN A NATIONAL VENDORS<sup>®</sup>, CROWN SEVENTY TWO<sup>®</sup>, SERIES OR GOLDEN FURNITURE LINE HBM-614 HOT BEVERAGE MERCHANDISER

These instructions cover the procedure for installing the Diaphragm and "O" Ring Replacement Kit in a Crown Seventy Two, Series or Golden Furniture Line, HBM-614 Hot Beverage Merchandiser.

Read these instructions carefully and thoroughly before installing the Kit. Retain these instructions for part number and installation information.

Kit, Part Number 613-8194, contains the following parts:

Part Number	Description	Quantity
613-8076	Brew Water Valve "O" Ring	1
613-8088	Diaphragm	1
613-8193	Installation Instructions * * *	1

## TO INSTALL THE KIT

### A. PARTS REMOVAL

1. Unlock and open the Cabinet Door.
2. Move the Main Switch in the Merchandiser to the OFF position. See Figure 1.
3. Remove the Coffee Hopper from the Merchandiser. See Figure 1.

### WARNING

Water in Water Tank can be in excess of 200° Fahrenheit. Use caution when draining.

4. Drain approximately two gallons of water from the Water Tank with the Spray Hose. See Figure 1.
5. Remove two Thumb Screws and the Water Valve Cover Assembly from the Merchandiser. See Figure 1.
6. Remove the Overflow and Detergent Pump Tubes from the side of the Brew Water Valve Funnel. See Figure 1.

7. Loosen the two screws attaching the Brew Water Valve Funnel to the Water Tank Jacket. See Figure 1.
8. Pull the Brew Water Valve Funnel down and to the left. See Figure 1.

### CAUTION

Do not turn the Adjusting Screw on the Brew Water Valve. See Figure 1.

9. Disconnect the two wires on top of the Brew Water Valve. See Figure 1.
10. Remove the Brew Water Valve from the Merchandiser by removing the two screws attaching it to the Water Tank Jacket. See Figure 1.
11. Remove the Brew Water Valve "O" Ring from the Brew Water Valve. See Figure 1 View A.
12. Remove the four screws attaching the upper and lower halves of the Brew Water Valve. See Figure 1 View A.
13. Remove the Diaphragm from the Brew Water Valve. See Figure 1 View A.

### B. INSTALLATION OF THE KIT

1. Install the replacement "O" Ring. See Figure 1 View A.
2. Install the replacement Diaphragm so that it rests cleanly in the grooves of the Brew Water Valve. It must operate cleanly when assembled. See Figure 1 View A.
3. Reverse the Parts Removal Procedure.

### CAUTION

Use care when installing the Brew Water Valve so as not to chip or cut the "O" Ring.

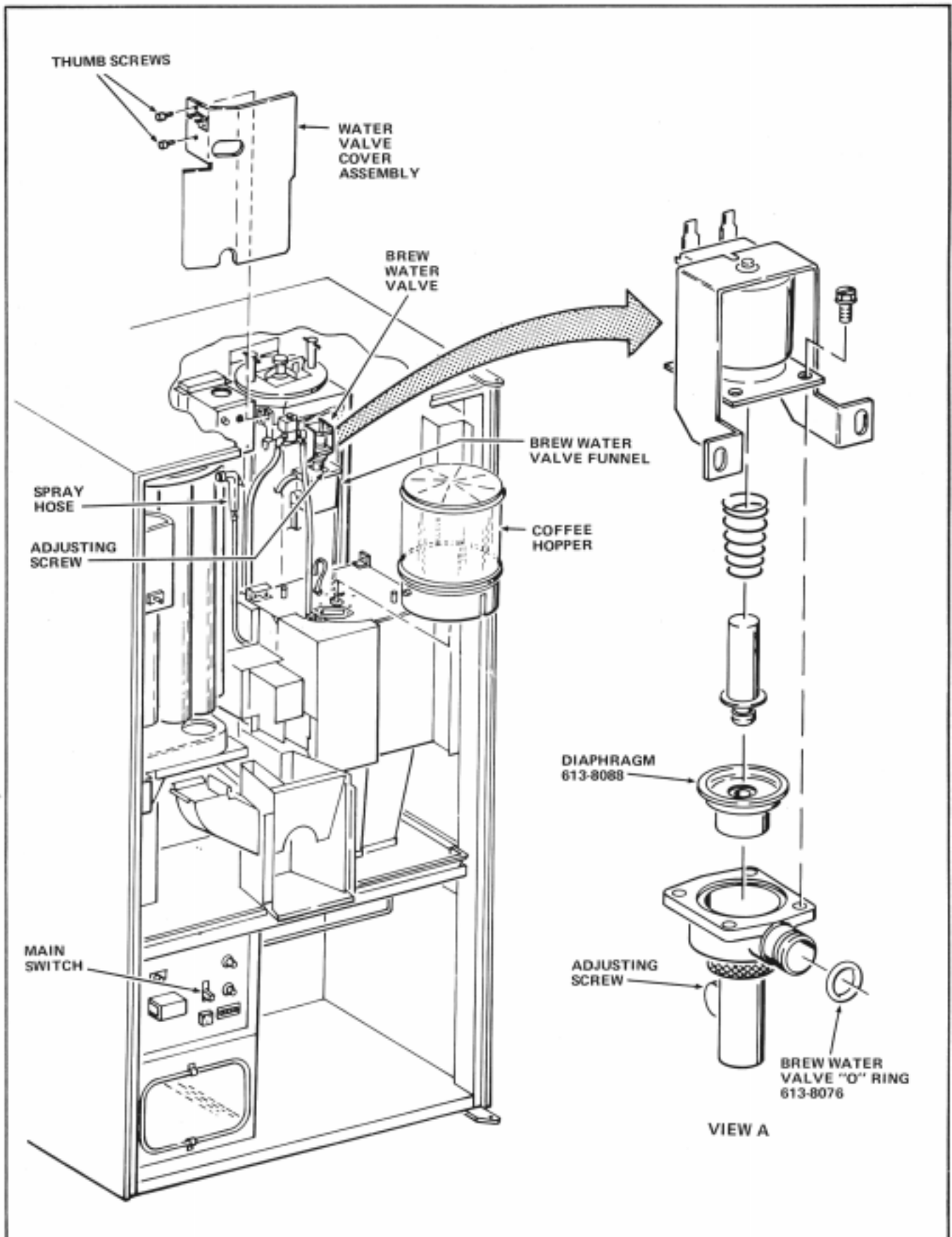


FIGURE 1